

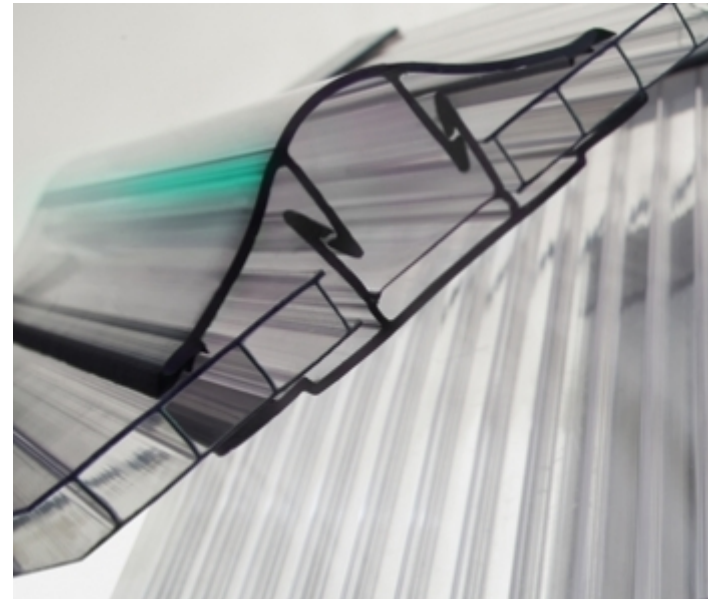


Thornhill, Ontario
Canada

(905) 597-5710

sales@greenwallsolutions.com

www.greenwallsolutions.com



PLEASE READ CAREFULLY BEFORE BEGINNING YOUR INSTALLATION:

Safety at Your Job Site:

1. Employ all safety measures required for working on scaffolding and roofs.
2. Beware of slipping when working above the roofing sheets.
3. Beware of losing your balance when carrying sheets in windy conditions.
4. Never walk directly on sheeting.

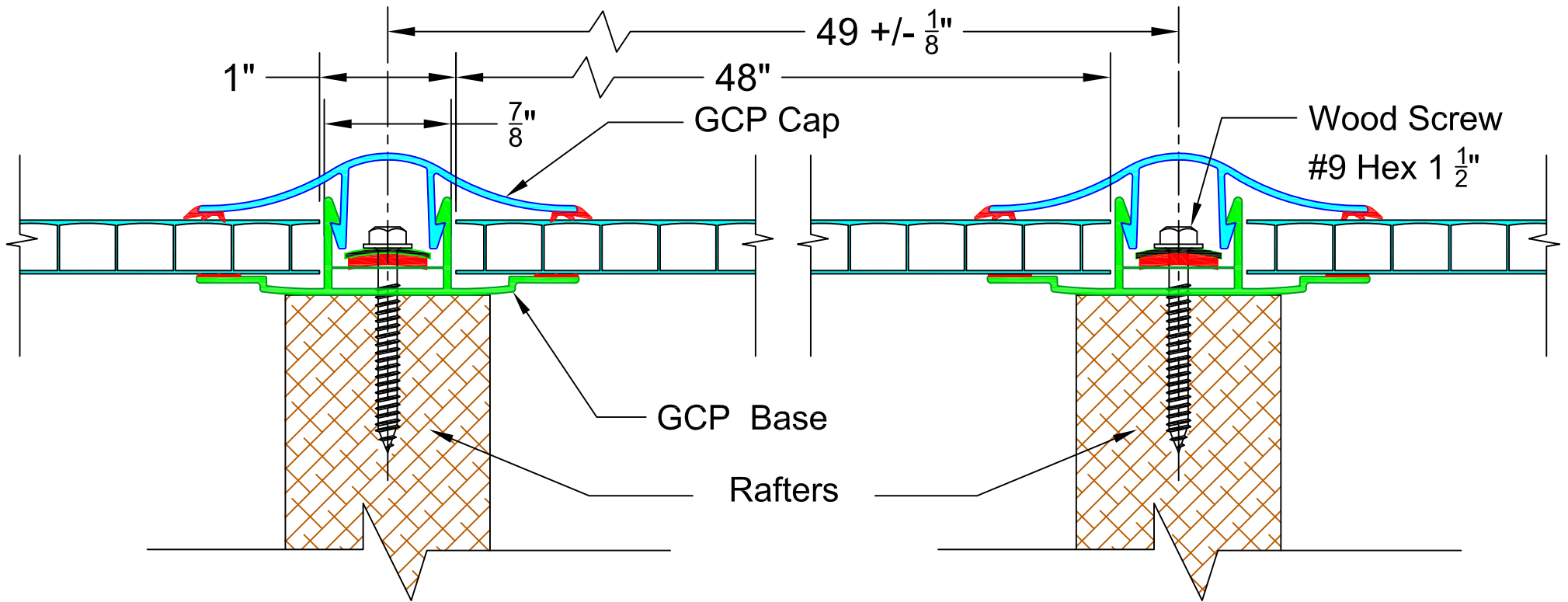
General Guidelines:

1. Only use approved "sealants" if required such as GE Silicone 1 (waterproof and Polycarbonate safe silicone).
2. Non-approved silicones and sealants will destroy the polycarbonate sheets and profiles.
3. Make sure you install the sheets with the UV side (as marked on the masking) facing towards the sun.
4. Remove the masking as soon as your installation is complete to avoid "baking" the masking on the sheet.

Storage before Installation:

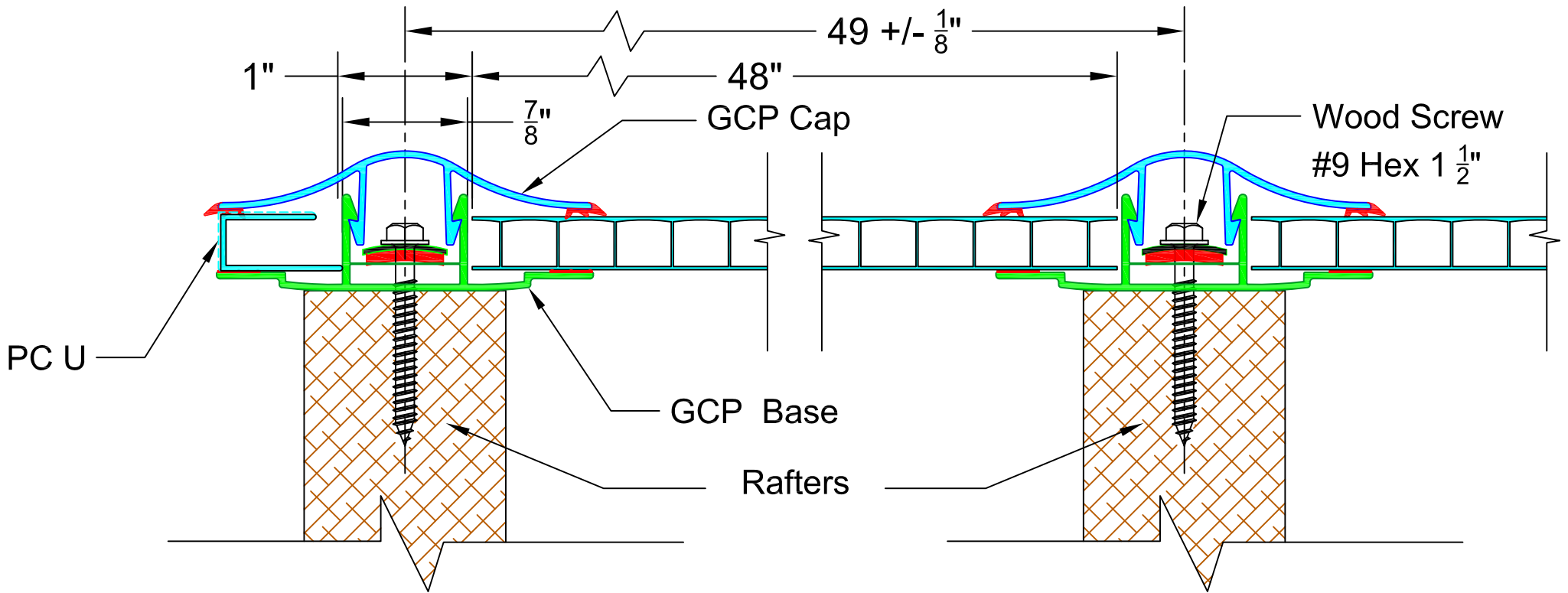
1. Store the sheets on a flat surface, protected from direct sunlight.
2. Do not cover the roofing sheets with PVC sheeting (tarpaulin).

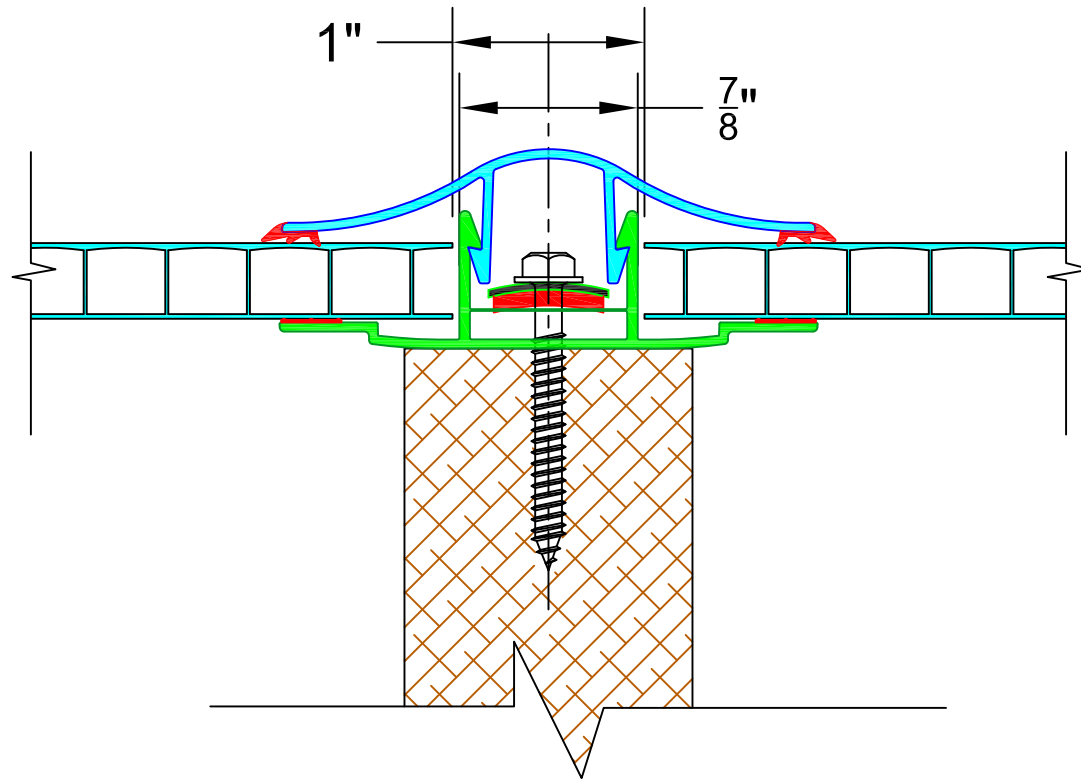
DISTANCE BETWEEN RAFTERS



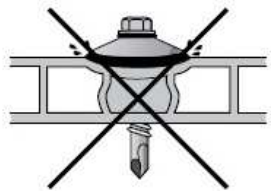
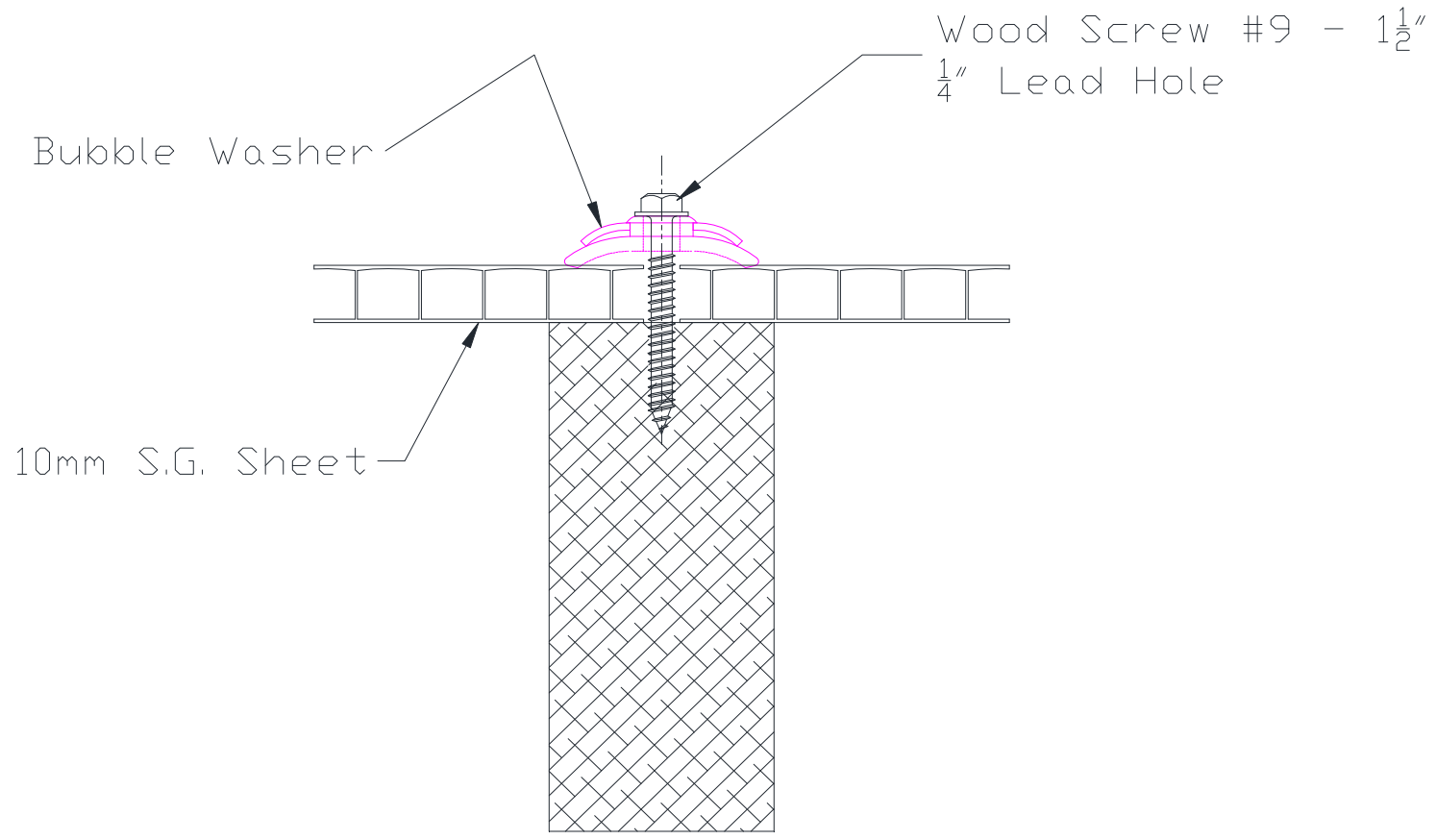
NOT TO SCALE

DISTANCE BETWEEN RAFTERS

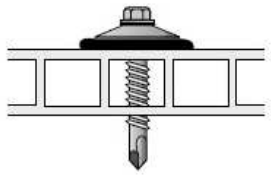




Scale 1: 1



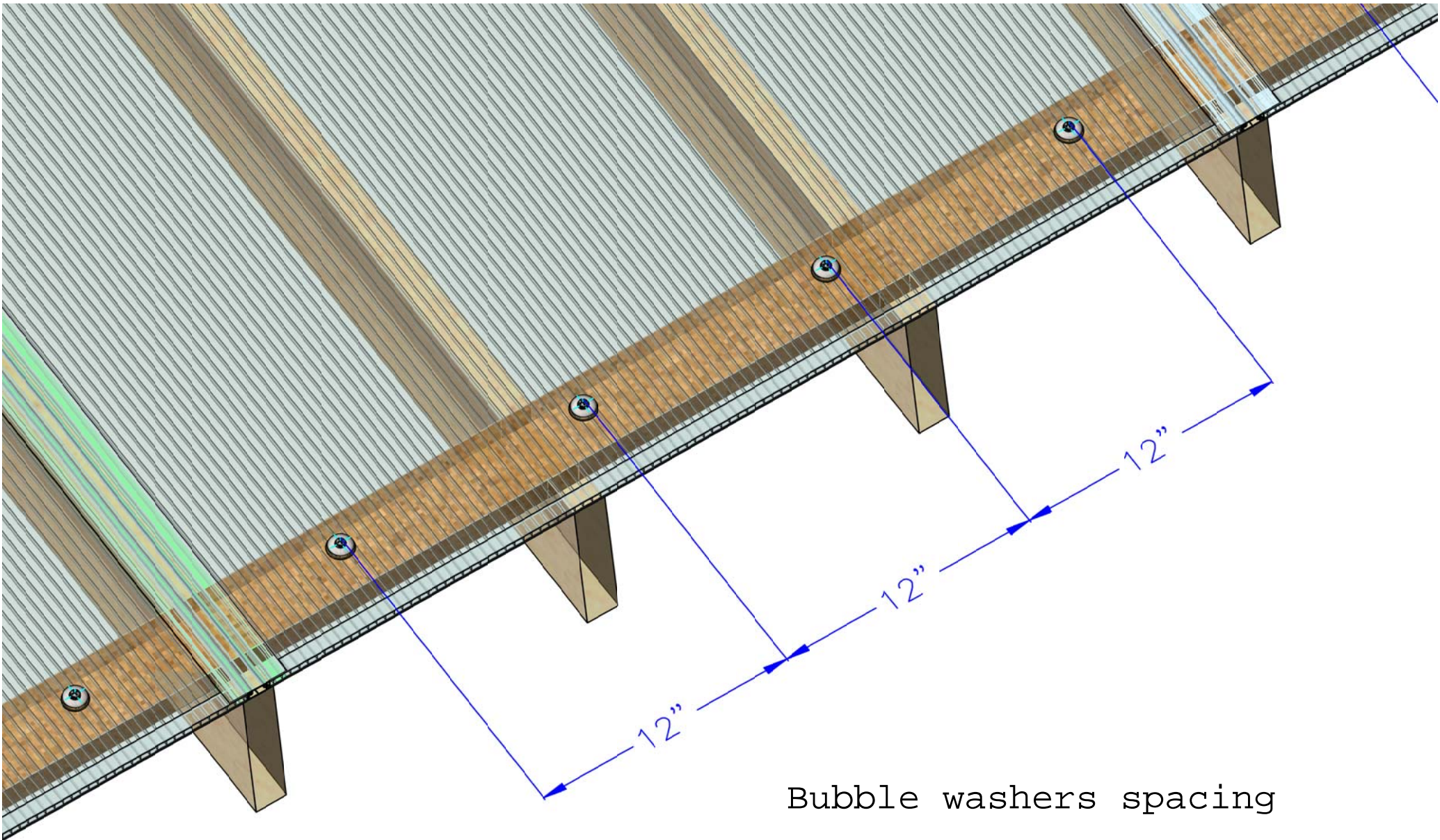
Incorrect - Overtightening



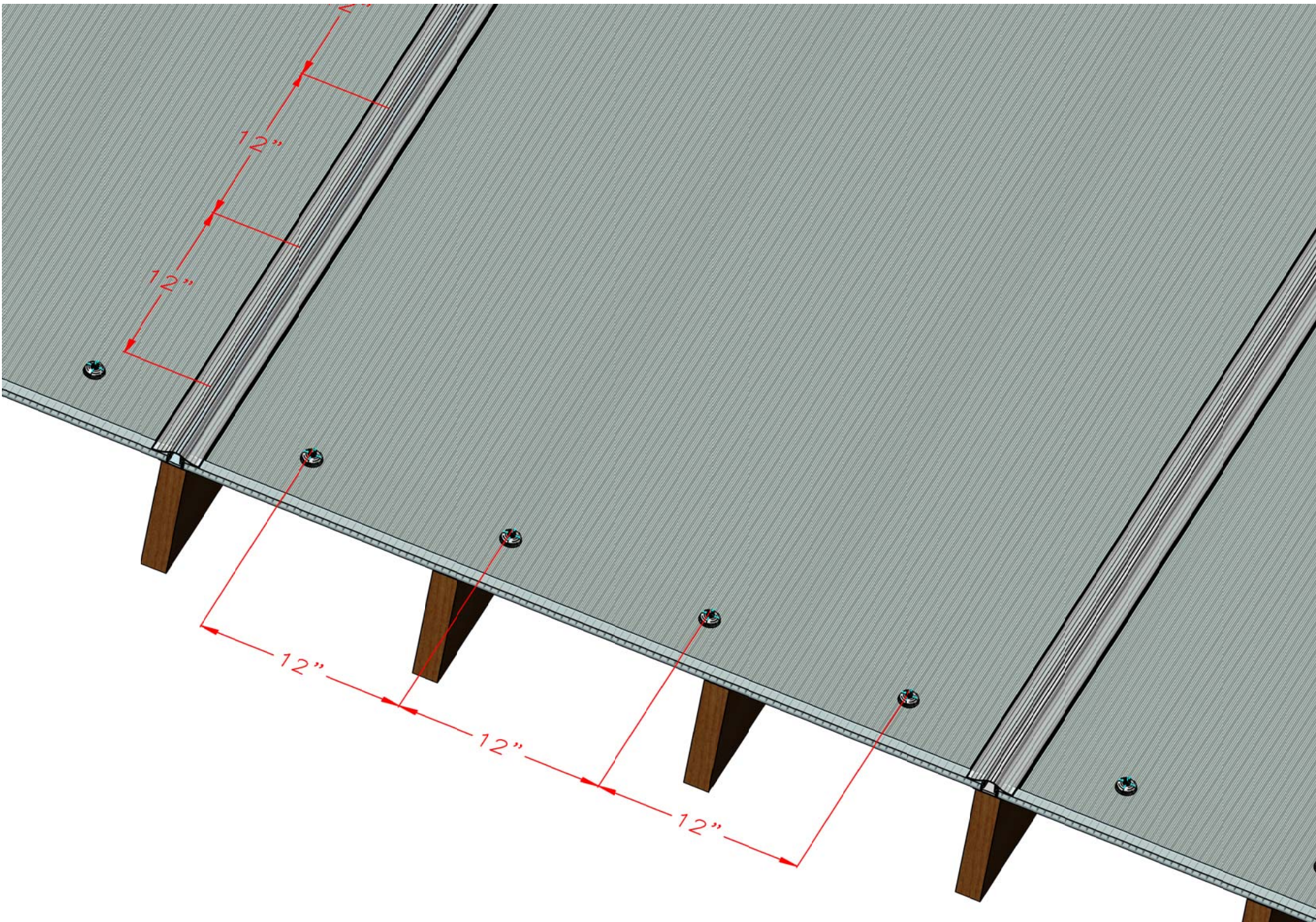
Correct

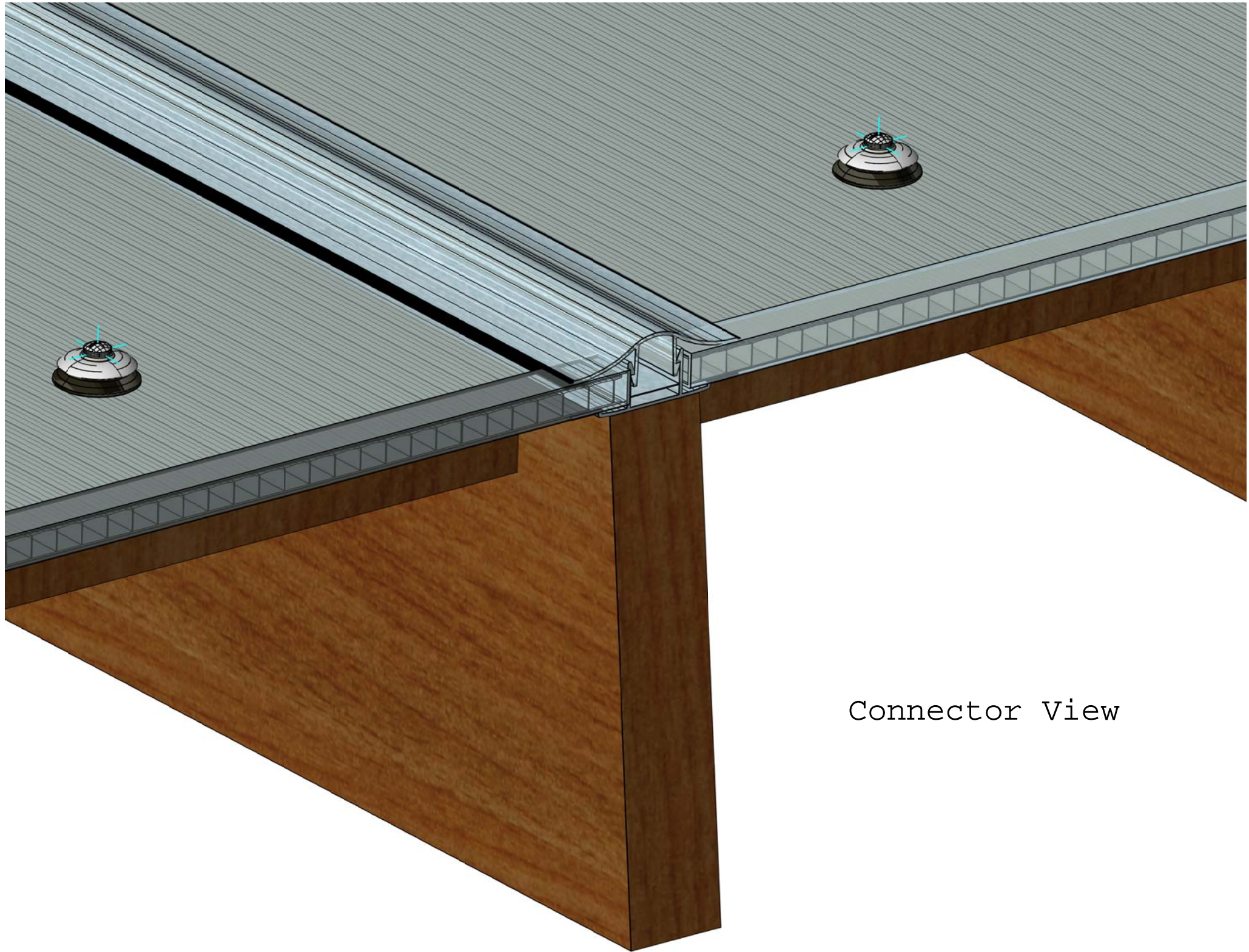


Incorrect - Non-perpendicular
drilling and insertion

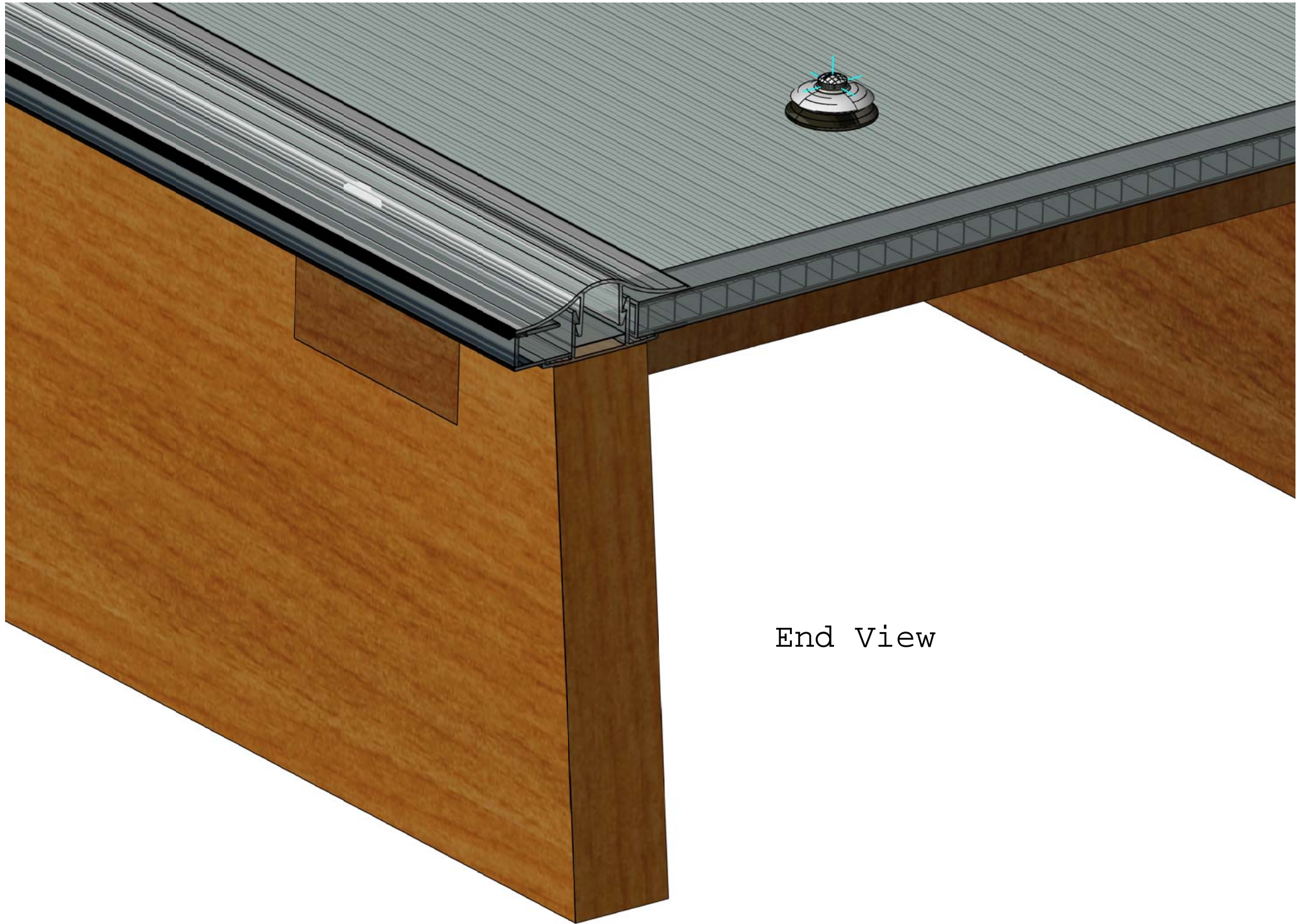


Bubble washers spacing





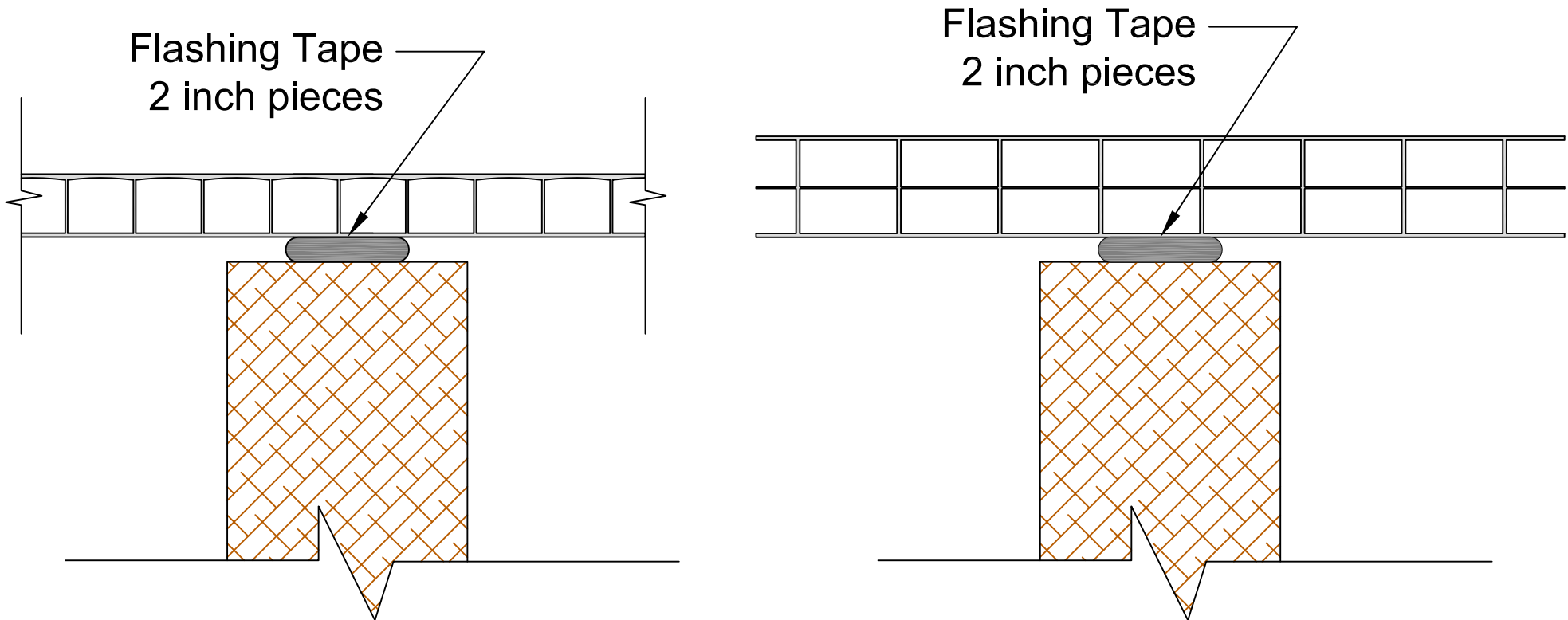
Connector View



End View

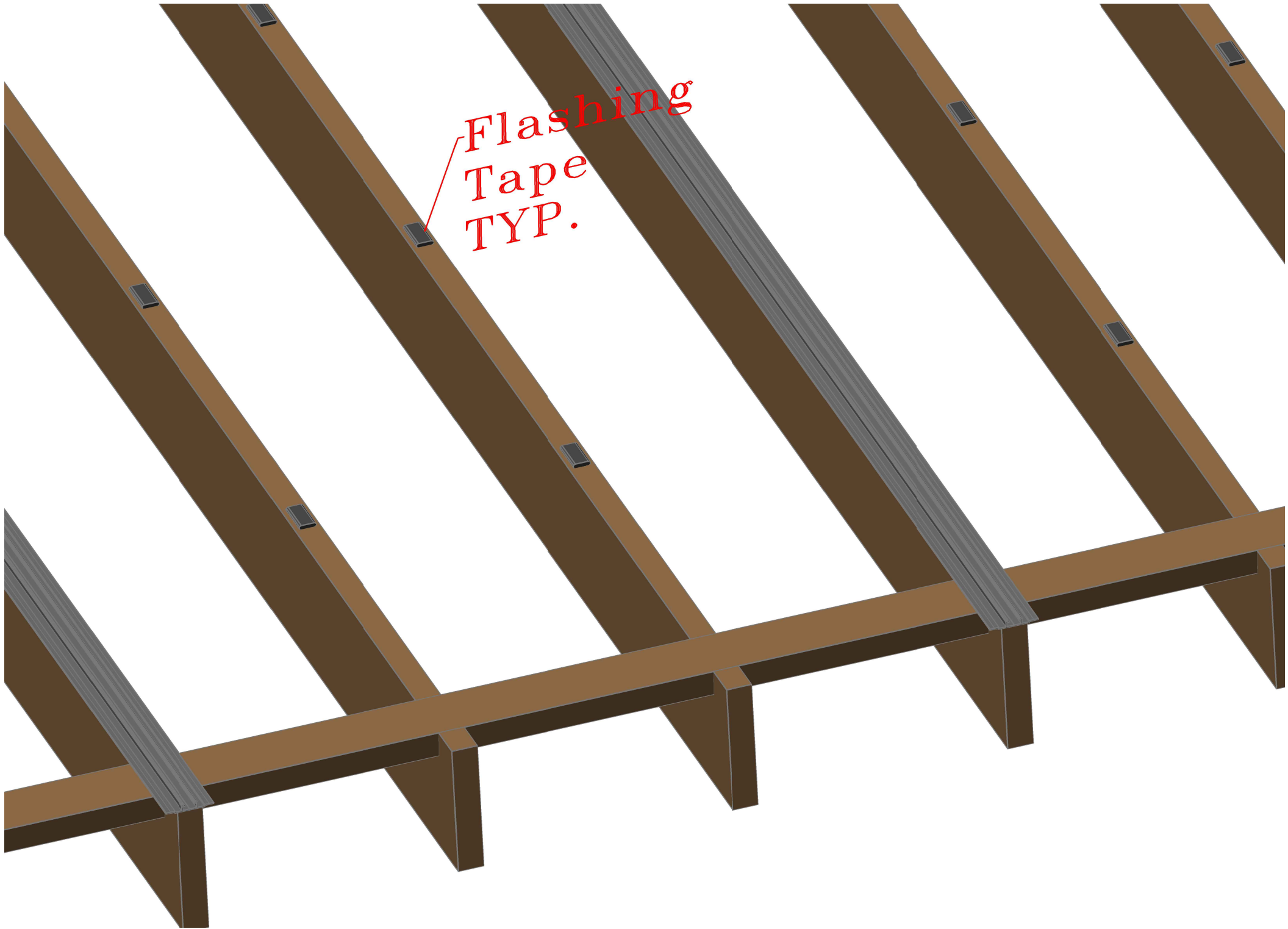
FLASHING TAPE (Butyl)

Place on rafters/purlins between connectors
2 inch pieces every 24"

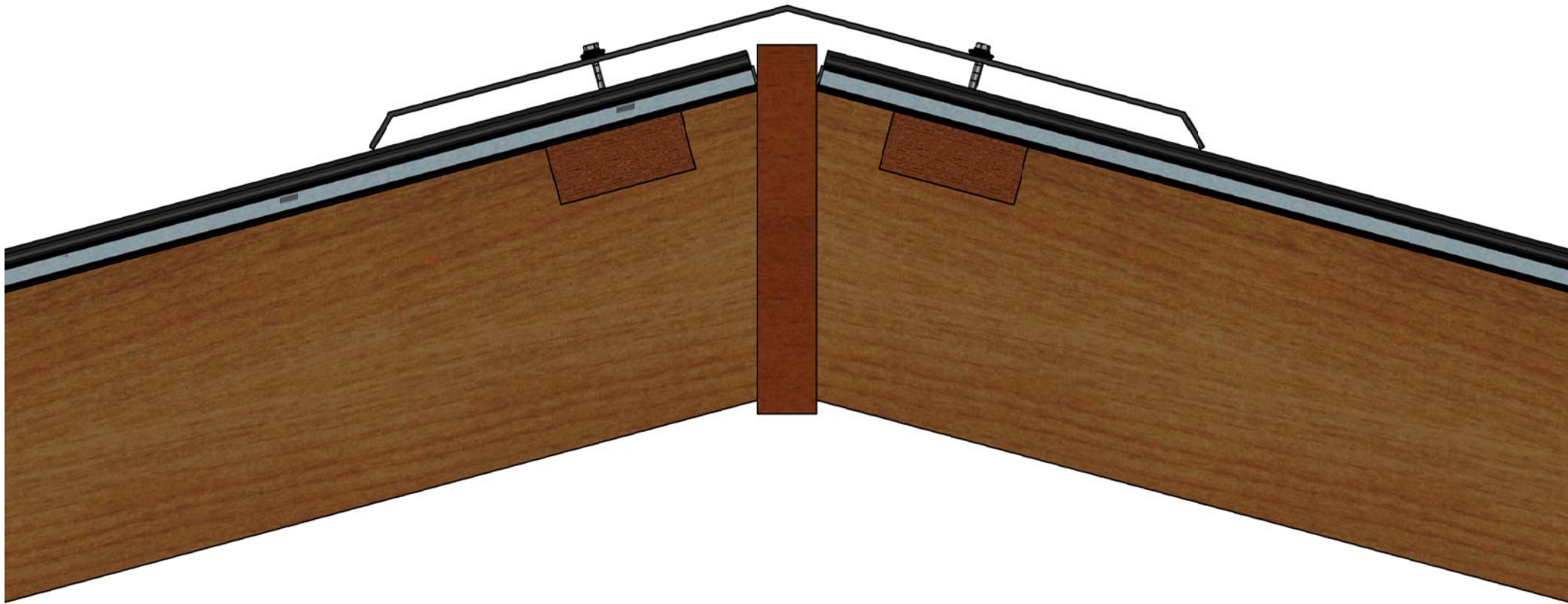


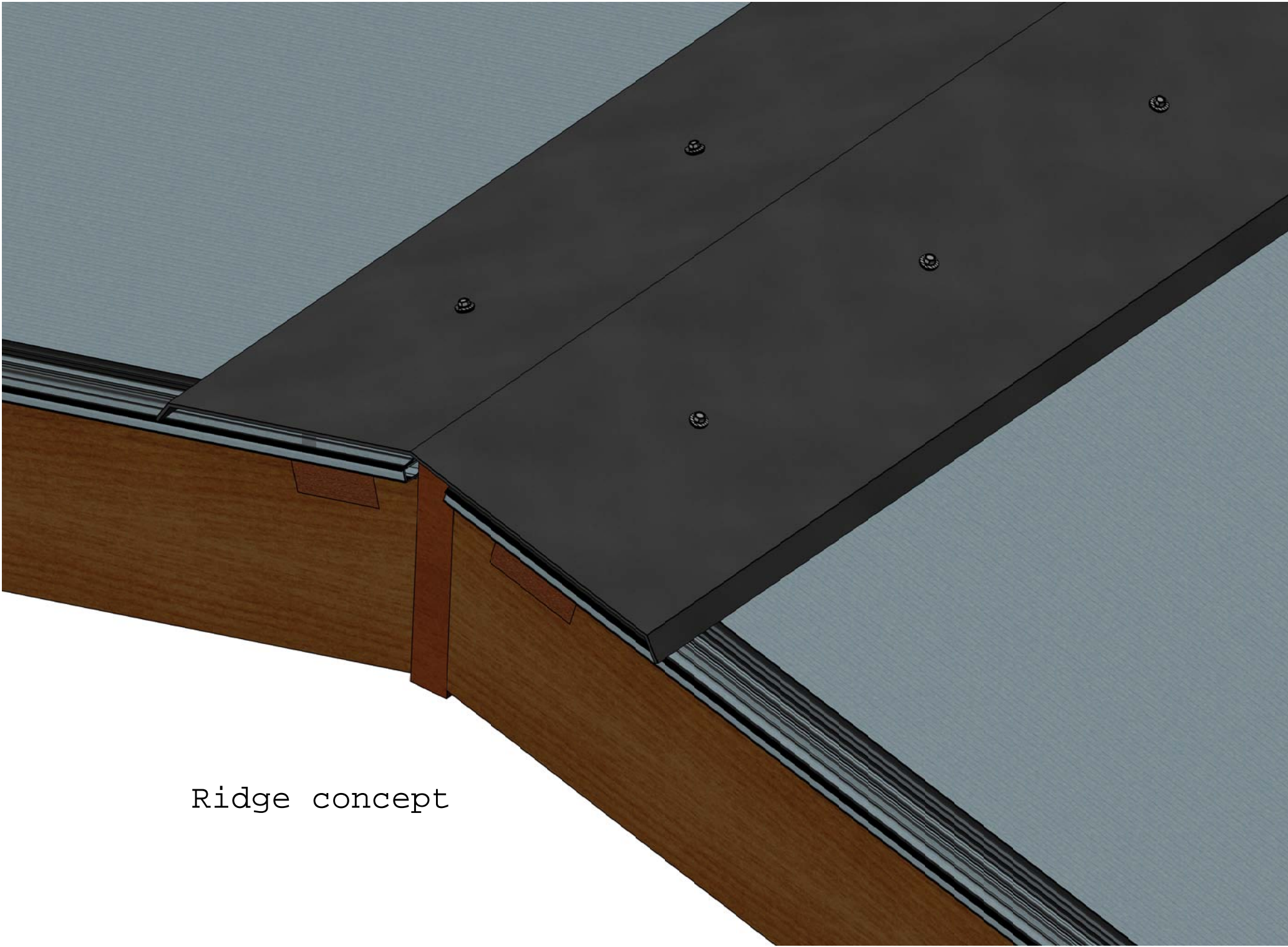
Scale 1: 1

Flashing
Tape
TYP.



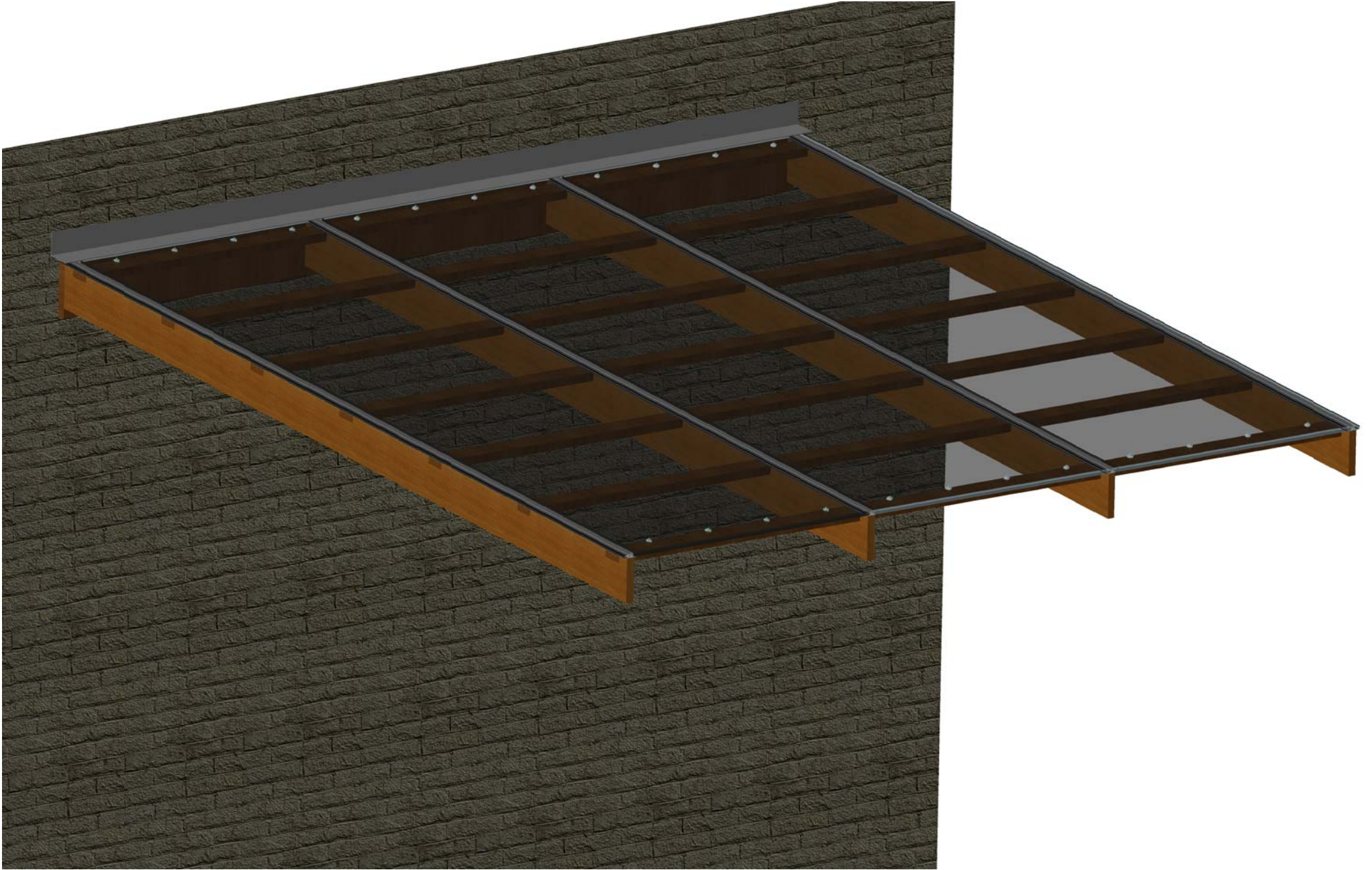
Ridge Concept



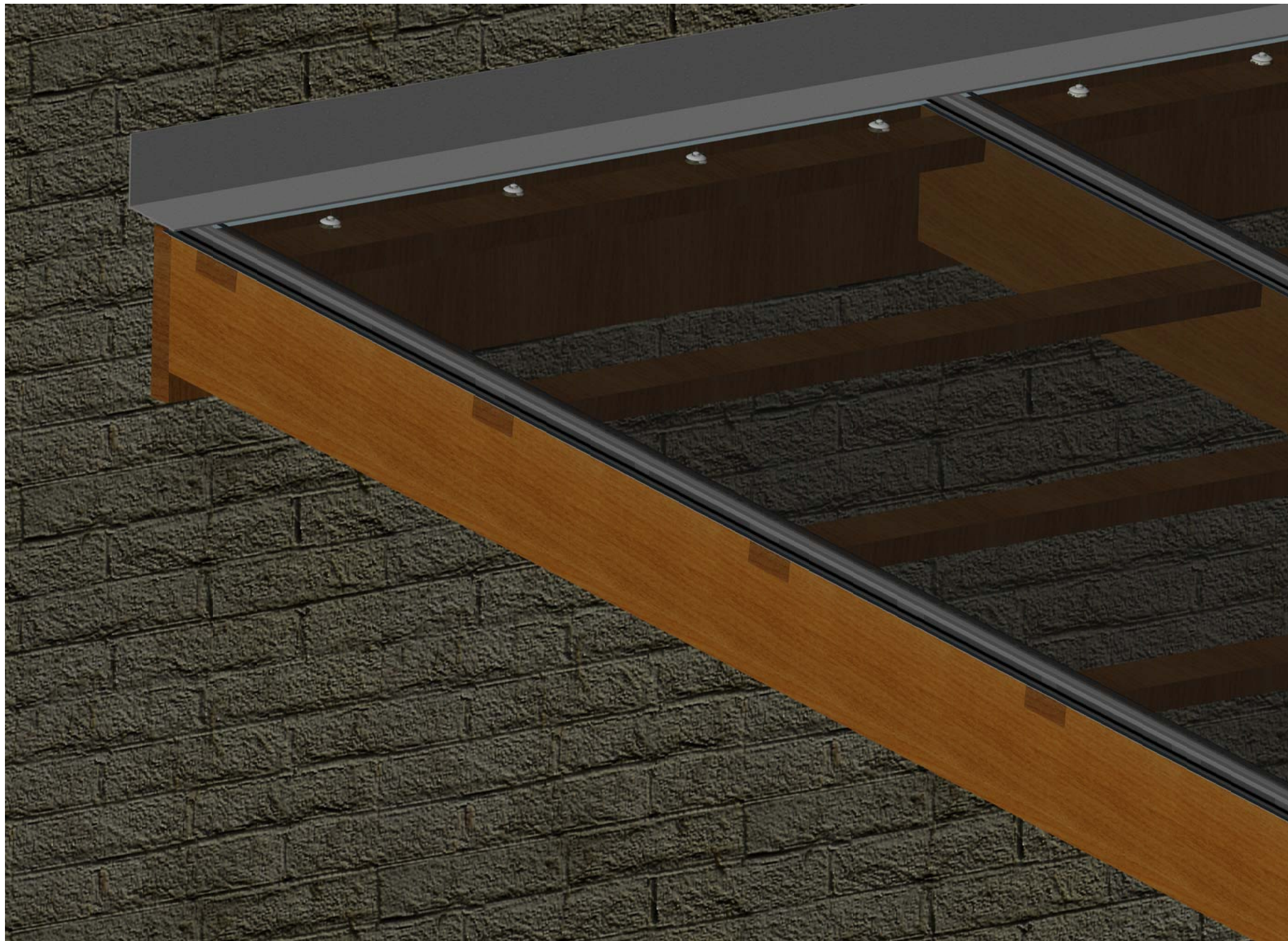


Ridge concept

LEAN-TO FLASHING



LEAN-TO FLASHING



Notes:

- For sheets longer than 16' we recommend using 16mm sheets to reduce buckling affect.
- We strongly recommend having slope of 10% or greater

- Support Method - Normal snow load of 20 to 35 PSF
 - Option # 1 for 16mm sheets
 - When rafters/Joist at 49" on centers
 - Purlins (cross support) every 24" to 36"

 - Option # 2 for 10mm sheets
 - When rafters/Joist at 49" on centers
 - Purlins (cross support) every 16" to 24"

 - Option # 3 for 16mm Sheet
 - Rafters/Joist at 24 ½" on centers
 - Purlins (cross support) at top and bottom

 - Option # 4 for 10mm Sheet
 - Rafters/Joist at 16 ¾" or 12 ¼" on centers
 - Purlins (cross support) at top and bottom

The information provided is intended for review only. Greenwall Solutions Inc. is not, and will not be responsible for any damage or loss caused by incorrect use of this information and/or erroneous interpretation. Always consult with an architect and/or civil engineer when applying the information provided.