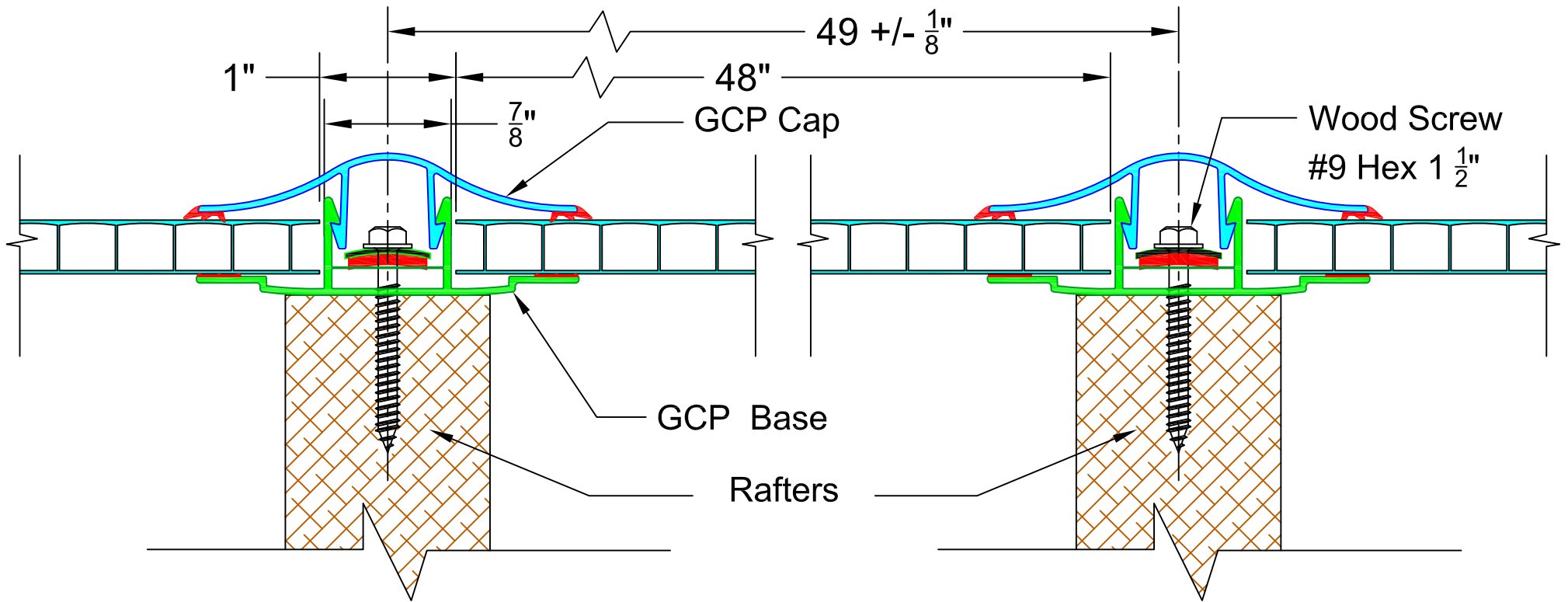
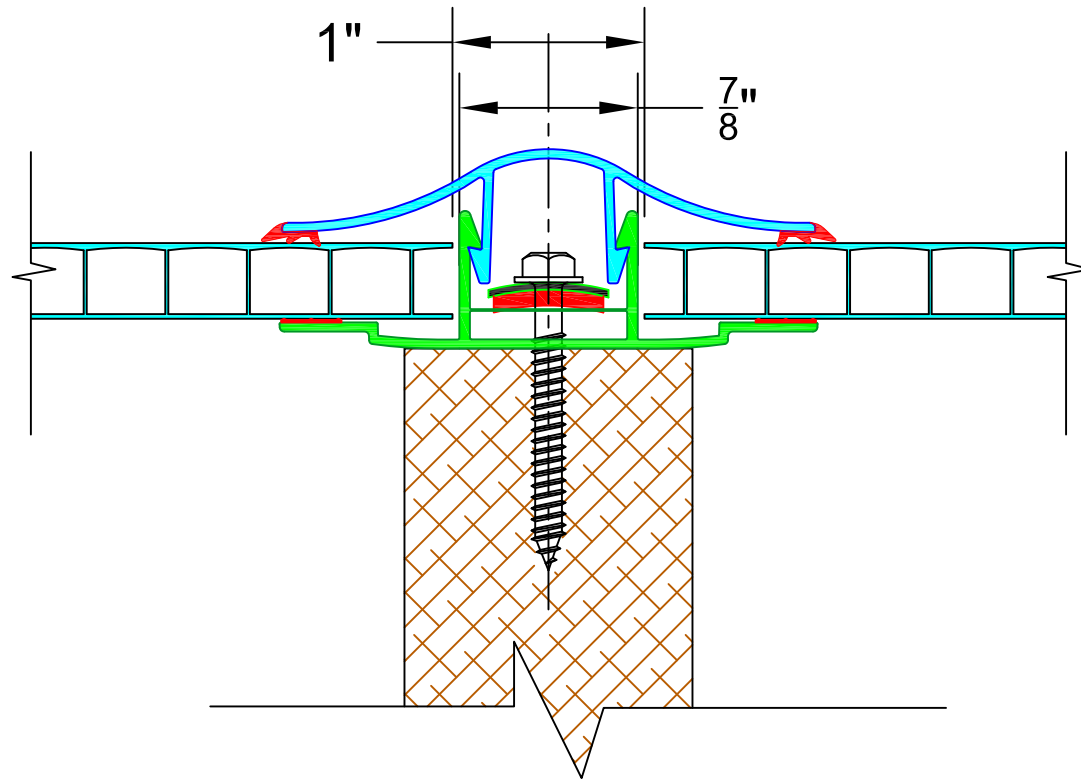


## DISTANCE BETWEEN RAFTERS



NOT TO SCALE



**Scale 1: 1**